

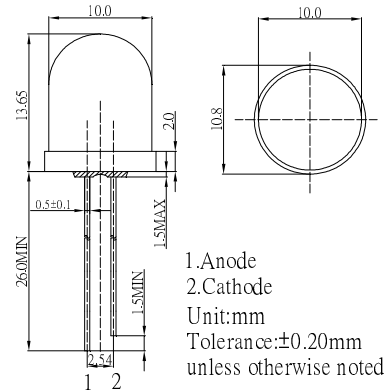
■ Features

- High Luminous LEDs
- 10mm Round Standard Directivity
- Superior Weather-resistance
- UV Resistant Epoxy
- Color Diffused Type

■ Applications

- Electronic Signs And Signals
- Small Area Illuminations
- Back Lighting
- Other Lighting

■ Outline Dimension

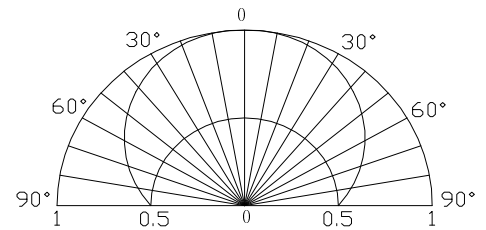


■ Absolute Maximum Rating

(Ta=25°C)

Item	Symbol	Value		Unit
		YG/Y/O/R	W/M/B/PG	
DC Forward Current	I _F	30	30	mA
Pulse Forward Current*	I _{FP}	100	100	mA
Reverse Voltage	V _R	5	5	V
Power Dissipation	P _D	78	108	mW
Operating Temperature	T _{opr}	-30 ~ +85		°C
Storage Temperature	T _{stg}	-40~ +100		°C
Lead Soldering Temperature	T _{sol}	260°C/5sec		-

■ Directivity



*Pulse width Max.10ms Duty ratio max 1/10

■ Electrical -Optical Characteristics

(Ta=25°C)

Part Number	Color		V _F (V)			I _R (μA)	I _v (mcd)			CCT(K)Wd(nm)*			2θ1/2(deg)
			Min.	Typ.	Max.	Max.	Min.	Typ.	Max.	Min.	Typ.	Max.	Typ.
			I _F =20mA			V _R =5V		I _F =20mA					
OSW4DKA1K2A	White	W	2.7	2.9	3.4	10	1560	2180	-	5500-8500K(X:0.31,Y:0.34)			180
OSM5DKA1K2A	Warm White	M	2.7	2.9	3.4	10	750	1120	-	2700-3200K(X:0.44,Y:0.41)			180
OSB5SAA1K4A	Blue	B	2.8	3.1	3.6	10	500	750	-	465	470	475	180
OSG5DAA1K4A	Pure Green	PG	2.8	3.1	3.6	10	1120	1560	-	520	525	530	180
OSY5RUA1K4A	Yellow	Y	1.8	2.1	2.6	10	330	500	-	585	590	595	180
OSY5PAA1K4A	Yellow	Y	1.8	2.1	2.6	10	750	1120	-	585	590	595	180
OSR5RUA1K4A	Red	R	1.8	2.1	2.6	10	330	500	-	620	625	630	180
OSR5PAA1K4A	Red	R	1.8	2.1	2.6	10	750	1120	-	620	625	630	180

*1 Tolerance of measurements of chromaticity coordinate is ±10%

*3 Tolerance of measurements of luminous intensity is ±15%

*2 Tolerance of measurements of dominant wavelength is ±1nm

*4 Tolerance of measurements of forward voltage is ±0.1V

LED & Application Technologies

