

CURRENT REGULATIVE LED

CRLED

- CRLED is LED which supplies constant current to keep LED Intensity Consistency even when power supply voltage fluctuations or load impedance fluctuations occur.
- CRLED is used with current stabilization and current limiting

■ Features

- High Luminous LEDs / 10mm Round Standard Directivity
- Superior Weather-resistance / UV Resistant Epoxy
- Water Clear Type

■ Absolute Maximum Rating

(Ta=25°C)

Item	Symbol	Value	Unit
DC Forward Voltage	V _F	20	V
Power Dissipation	P _D	350	mW
Operating Temperature	Topr	-30 ~ +85	°C
Storage Temperature	Tstg	-40~ +100	°C
Lead Soldering Temperature	Tsol	260°C/5sec	-

■ Electrical -Optical Characteristics

(Ta=25°C)

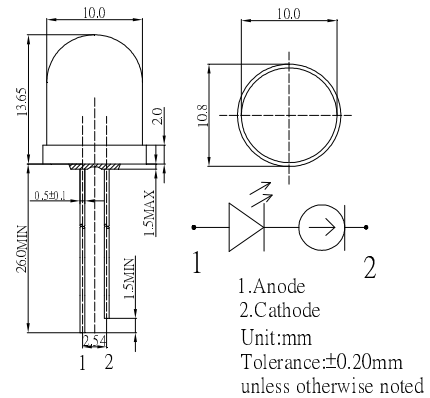
Part Number	Color	V _F (V)		I _F (mA)			I _R (μA)	I _v (mcd)*			λD(nm)*			2θ1/2(deg)
		Min	Ma	Min	Typ.	Max.	Max..	Min.	Typ.	Max.	Min.	Typ.	Max.	Typ.
		x.		V _F =12V			V _R =8V	V _F =12V						
OSW5DKA131A-CRLED18	White	5.5	20		18	-	10	-	12000	-	X=0.27, Y=0.28		30	
OSM5DKA131A-CRLED18	Warm White	5.5	20		18	-	10	-	8000	-	X=0.45, Y=0.41		30	
OSK5DKA131A-CRLED18	Pink	5.5	20		18	-	10	-	2500	-	X=0.45, Y=0.17		30	
OSB64LA131A-CRLED18	Ice Blue	5.5	20		18	-	10	-	10000	-	X=0.19, Y=0.29		30	
OSB5SAA131A-CRLED18	Blue	5.5	20		18	-	10	-	6500	-	465 470 475		30	
OSG5DAA131A-CRLED18	Pure Green	5.5	20		18	-	10	-	12000	-	520 525 530		30	
OSG8NUA131A-CRLED18	Yellow Green	5	20		18	-	10	-	750	-	565 570 575		30	
OSY5JAA131A-CRLED18	Yellow	5	20		18	-	10	-	1800	-	585 590 595		30	
OSY5MAA131A-CRLED18	Yellow	5	20		18	-	10	-	7500	-	585 590 595		30	
OSO5JAA131A-CRLED18	Orange	5	20		18	-	10	-	1800	-	600 605 610		30	
OSR5JAA131A-CRLED18	Red	5	20		18	-	10	-	1800	-	620 625 630		30	
OSR5MAA131A-CRLED18	Red	5	20		18	-	10	-	7500	-	620 625 630		30	

- *1 Tolerance of measurements of chromaticity coordinate is ±10%
- *2 Tolerance of measurements of dominant wavelength is ±1nm
- *3 Tolerance of measurements of luminous intensity is ±15%
- *4 Tolerance of measurements of forward voltage is ±0.1V

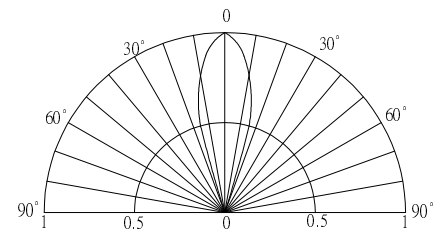
■ Applications

- Electronic Signs And Signals/ Small Area Illuminations
- Back Lighting/ Toys/ Other Lighting

■ Outline Dimension



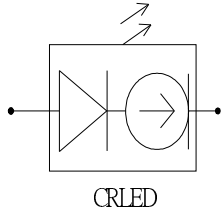
■ Directivity



Current Regulative LED
10mm Round LED
OSXXXXA131A-CRLED18
VER A.1

■ **Typical Applications**

1: Single LED



2: Multi- LEDs in series

