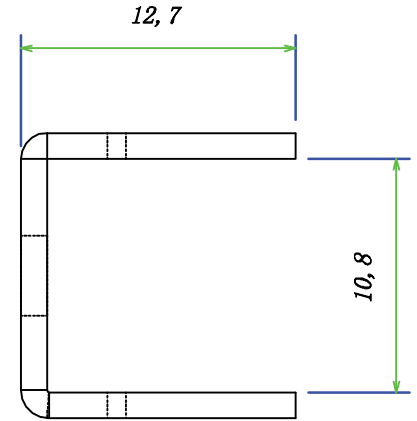
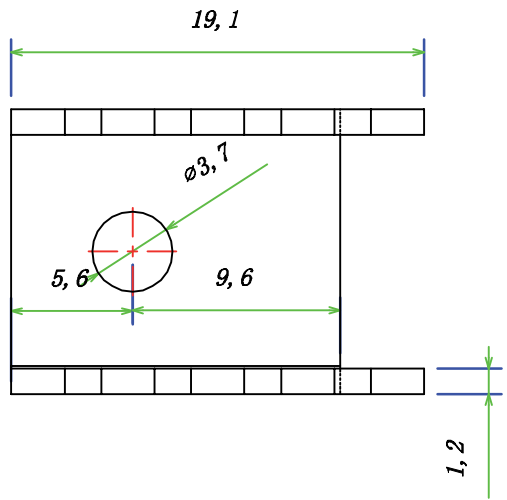
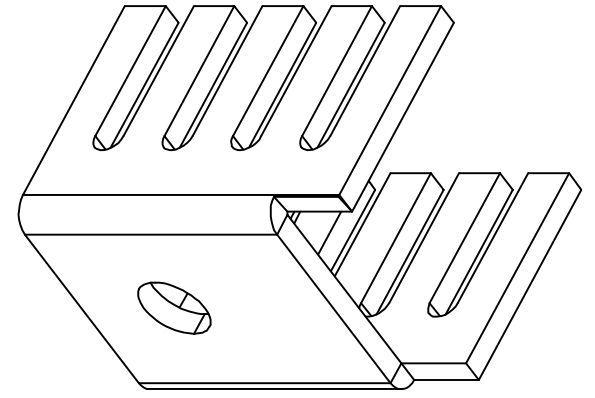
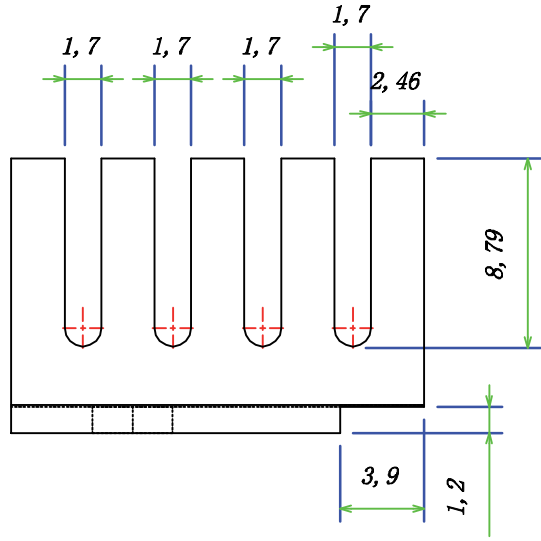


REVISIONS			
REV. NO.	TEM NO.	DESCRIPTION	DATE



0-6	± 0.05	PART NO.		SCALE	1:1	DO1A-V black			
6-30	± 0.1	MATERIAL	AL	SHEET	1 OF 1	DO1-V alu nat.			
30-120	± 0.2	DWG NAME		REV. NO.	01	DRAWN		DATE	
120-400	± 0.3	UNIT	mm	THIRD ANGLE PROJECTION		CHECKED		DATE	
ANGLE	$\pm 0.5^\circ$	SHRINKAGE				APPROVED		DATE	